

# Olympus DM-420, DM-450, DM-520, & DM-550

## Audible User Guide



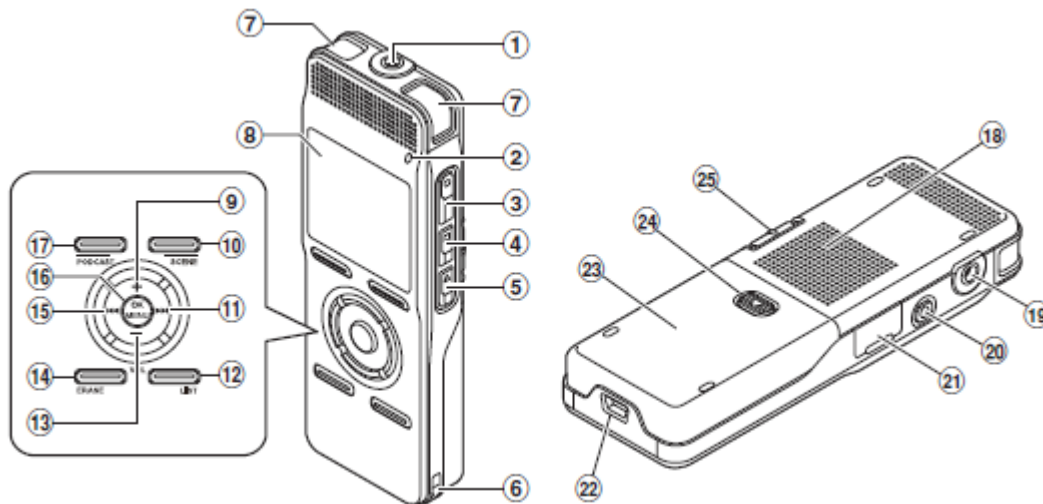
### System Requirements:

o Windows Operating System(s):	Windows 7, Vista, XP	o AudibleManager Version:	5 or higher
o Mac Operating System(s):	N/A	o Windows Media Player Version:	11 or higher

### Audible Features:

o Audible Formats Supported:	2 3 4	o Section Navigation:	Yes
o Bookmarking:	No	o Variable Playback Speed:	Yes

## Device Layout:



- ① MIC (Microphone) jack
- ② Record indicator light
- ③ REC ● (Record) button
- ④ STOP ■ button
- ⑤ PLAY ► button
- ⑥ Strap hole
- ⑦ Built-in stereo microphone
- ⑧ Display (LCD panel)
- ⑨ + button
- ⑩ F2/SCENE button
- ⑪ ►►| button
- ⑫ LIST button
- ⑬ – button
- ⑭ ERASE button

- ⑮ ◀◀ button
- ⑯ OK/MENU button
- ⑰ F1/PODCAST button
- ⑱ Built-in speaker
- ⑲ EAR (Earphone) jack
- ⑳ REMOTE jack  
Connect the receiver of the exclusive remote control set (optional). The recorder's recording and stop functions can be operated through the remote control.
- ㉑ Card cover
- ㉒ USB connector
- ㉓ Battery cover
- ㉔ Battery cover release button
- ㉕ POWER/HOLD switch

## How To's:

### **Playback** - *How do I locate and play Audible content on my device?*

- Step 1.** From the Home screen, use the **+** or **-** buttons to navigate to **Music**. Press the **OK / Menu** button to select **Music**.
- Step 2.** Use the **+** or **-** buttons to navigate to **Audible**. Press the **OK / Menu** button to select **Audible**.
- Step 3.** Use the **+** or **-** buttons to navigate to the title that you want to play. Press the **OK / Menu** button to play the selected title.

### **Rewind/Fast-Forward** - *How do I rewind or fast-forward an Audible book?*

#### **Rewind**

- Step 1.** During playback, press and hold the **rewind** button.

#### **Fast-Forward**

- Step 1.** During playback, press and hold the **fast-forward** button.

### **Section Navigation** - *How do I navigate through sections within an Audible book?*

- Step 1.** During playback press the **OK / Menu** button to pause the playback of the title.
- Step 2.** Press the **fast-forward** button to skip to the next section or press the **rewind** button to go to the previous section.

### **Change Playback Speed** - *How do I change the playback speed of Audible content?*

- Step 1.** Press and hold the **OK / Menu** button for 1 second or longer.
- Step 2.** Use the **+** or **-** buttons to navigate to the **Play Menu** tab. Press the **OK / Menu** button to select the **Play Menu** tab.
- Step 3.** Use the **+** or **-** buttons to navigate to **Play Speed**. Press the **OK / Menu** button to select **Play Speed**.
- Step 4.** Use the **+** or **-** buttons to navigate between **Slow Playback** and **Fast Playback**. Once highlighted press the **OK / Menu** button to select either **Slow Playback** or **Fast Playback**.
- Step 5.** Use the **+** or **-** to increase and decrease the selected playback speed. You will be able to adjust the playback speed in increments of .05.
- Step 6.** Once the desired speed is selected, select **Exit**.
- Step 7.** During playback of an Audible title press the **Play** button to toggle between speeds; **Slow Play**, **Fast Play**, and **Play** (*normal play*).